

BOA-Valve

100 YEAR VALVES

BV-100

Body 125 PSI. Working Pressure @ 100 Degree (f) – 200 Test

Size	A	B	
2"	10"	8"	
4"	11"	12"	
6"	12.5"	14.5"	
8"	14.5"	16.5"	
10"	18"	20"	
12"	21"	23"	
14"	26"	29"	
16"	29"	32"	

D - Size	Plain End	MJ	Flange
2"	14"		
4"	18"		
6"	22"		
8"	23"		
10"	27"		
12"	27"		
14"	31"		
16"	32"		

Size	C-Knife Gate	C-Butterfly	E-Service Tool
2"	9.5"	6"	
4"	13"	8"	
6"	16"	8.5"	
8"	19"	9"	
10"	21"	10"	
12"	23"	10"	
14"	26"	12"	
16"	28"	12"	

Pipe Outlets: HDPE ASTM F714 - DR11/DR9

Body: HDPE ASTM D3035

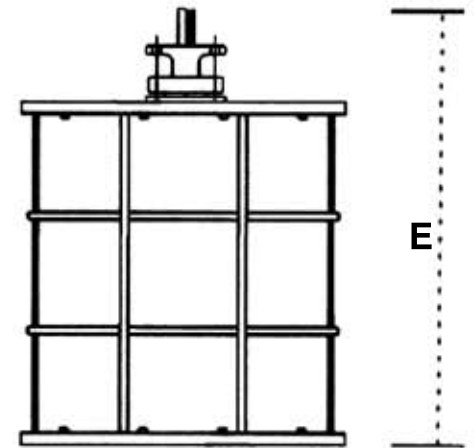
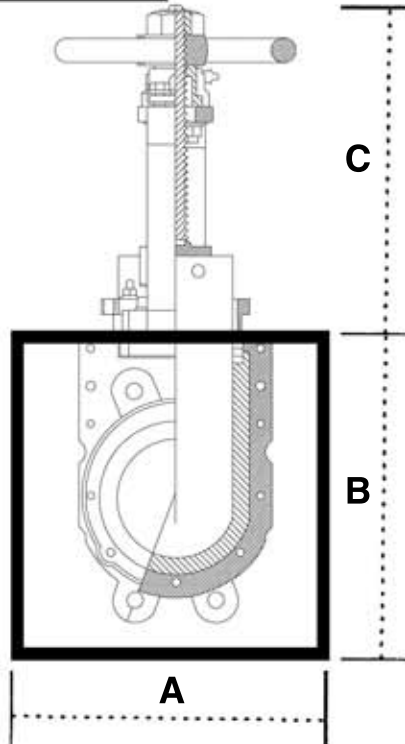
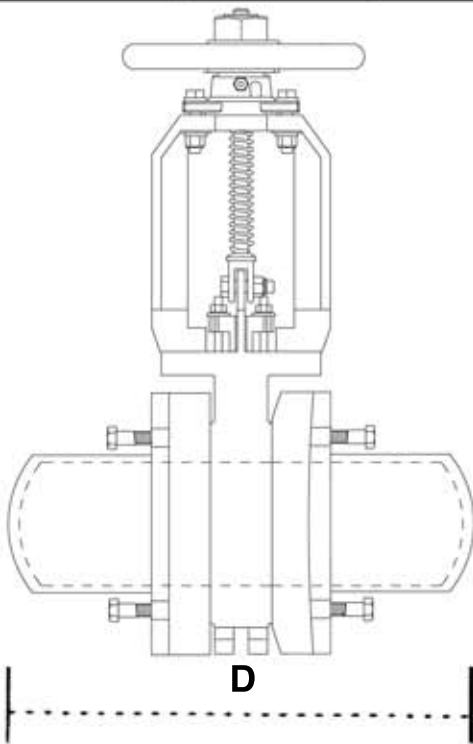
Body Flange: ASTM A536 Ductile Iron

Optional 316 Stainless Steel Available

Finish: **Boa-Bond** - Fully bonded coating system provides longevity Applied Epoxy per ANSI/AWWA C-213

Bolts: 18-8 Type 304 Stainless Steel Optional 316 Available

Available with: Plain-End, Flanged, Mechanical-Joint or Wed-Ends



9-17-17

PATENT # 9,004,095 & OTHER PATENTS PENDING

CALL: 1-800-545-1185

National Services provided by International Flow Technologies, Inc.